

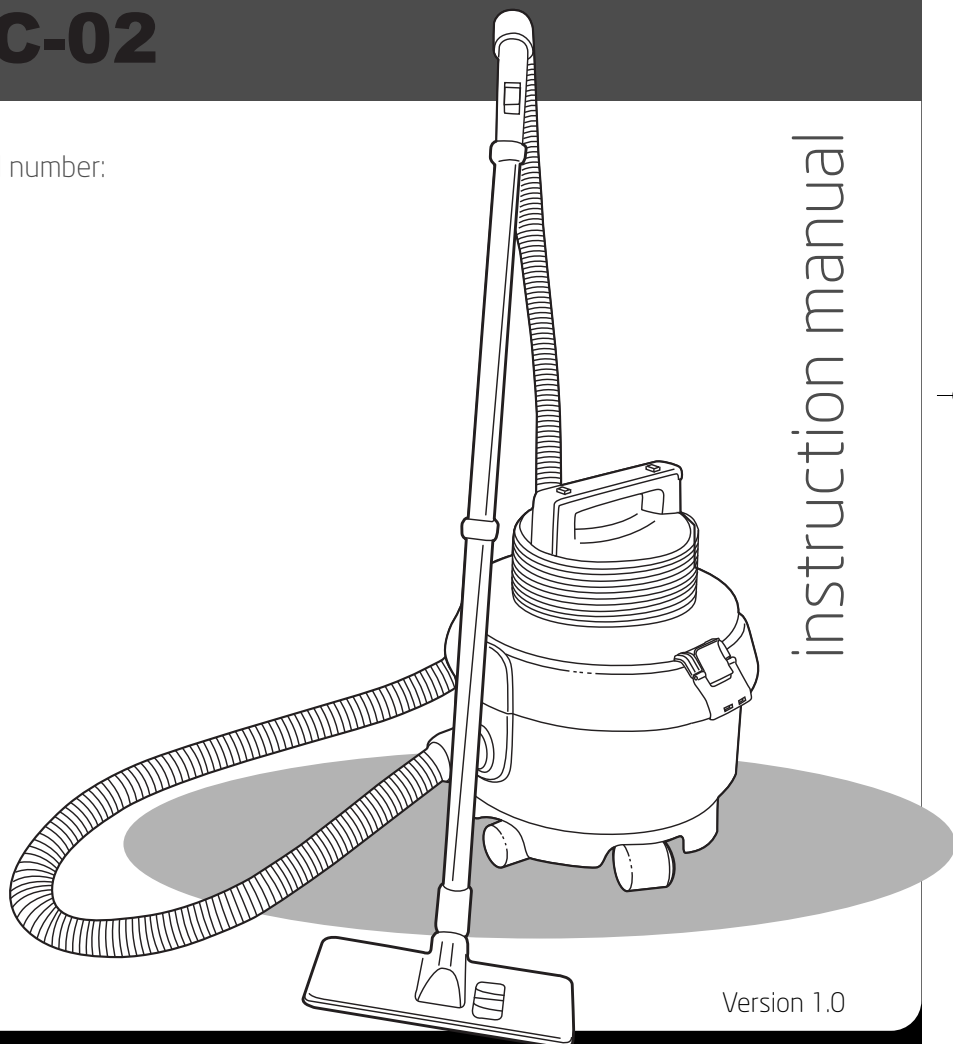


Vax careline
(UK) 0844 375 4275

Commercial bagged cylinder

VCC-02

Vax model number:
VCC-02



instruction manual

Version 1.0

vaxcommercial.co.uk

Please read carefully before using this cleaner.
Always fully extend the mains cable before use.
Retain for future reference.

1. Diagram

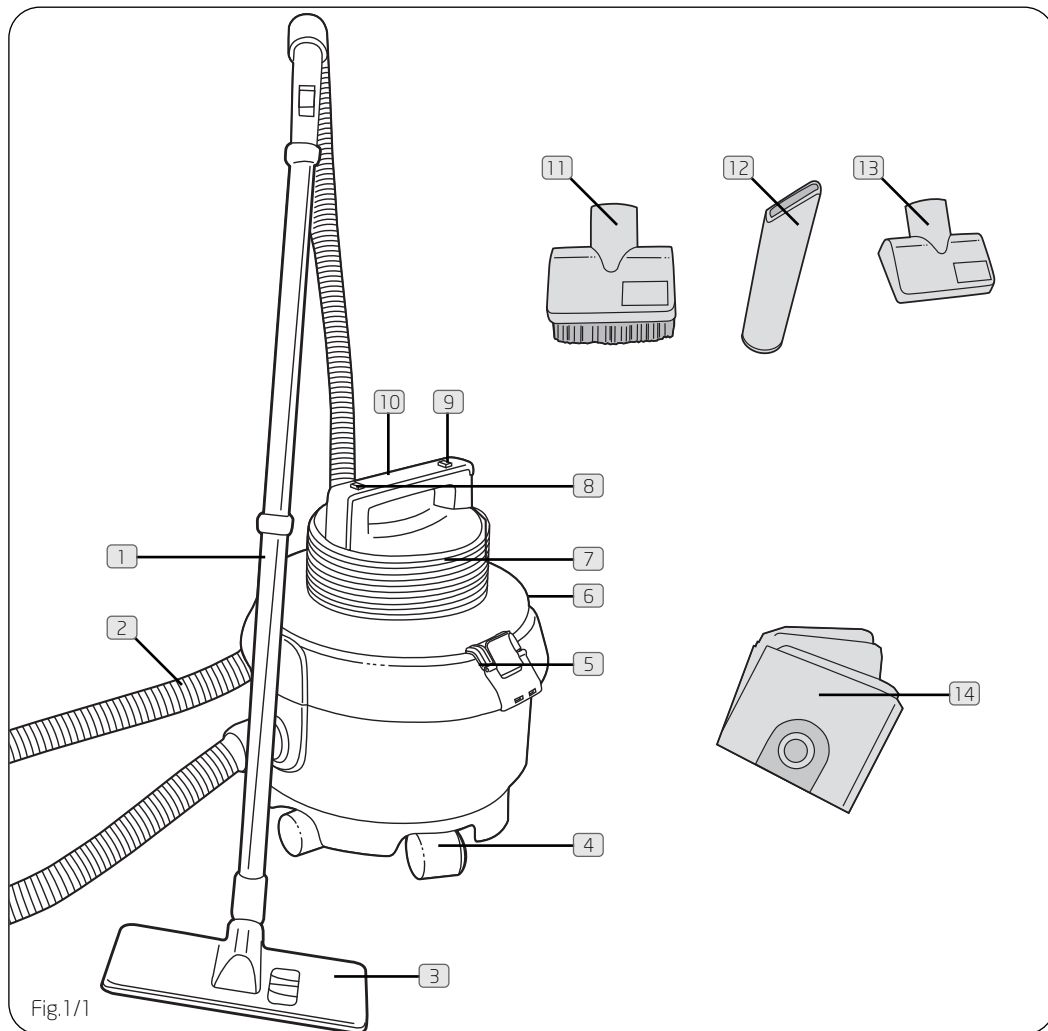


Fig.1/1

- | | |
|-------------------------------|--------------------|
| 1 Extension tubes | 8 Hi/lo switch |
| 2 Flexible hose | 9 On/off switch |
| 3 Combination floor tool | 10 Carry handle |
| 4 360° rotating castors | 11 Dusting brush |
| 5 Top cover retainer clips | 12 Crevice tool |
| 6 Post-motor filter (at rear) | 13 Upholstery tool |
| 7 Power cord | 14 Dust bag |

! **IMPORTANT:** The accessories are stored in the dust bag compartment and need to be removed before operating the vacuum cleaner.

2 parts overview

2. Safety Information

FOR COMMERCIAL USE ONLY.

When using the vacuum cleaner, basic safety precautions should always be observed, including the following:

1. This appliance is for dry use only and is not to be used or stored outdoors or in wet conditions.
2. Turn off the vacuum cleaner controls before connecting to or disconnecting from the mains supply.
3. Always unplug the vacuum cleaner before connecting or disconnecting the vacuum hose.
4. Children should be supervised to ensure that they do not play with the appliance.
5. This appliance is not intended for use by persons (including children) with reduced physical, sensory or mental capabilities, or lack of experience and knowledge, unless they have been given supervision or instruction concerning use of the appliance by a person responsible for their safety.
6. Use only as described in this manual. Use only the manufacturer's recommended attachments. This appliance is suitable for commercial use, for example in hotels, schools, hospitals, factories, shops, offices and rental businesses.
7. Do not use the vacuum cleaner with a damaged cord or plug. Do not use the vacuum cleaner if it has been dropped, damaged, left outdoors or dropped into water. Return the vacuum cleaner to a Vax Authorised Service Agent or suitably qualified person for examination, repair or adjustment.
Call 0844 375 4275 for your nearest service centre. Regularly examine the power cord for damage, such as cracking or ageing. If damage is found replace the cord before further use.
8. Do not pull or carry by the cord. Do not use the cord as a handle, close a door on the cord or pull the cord around sharp edges or corners. Do not run the vacuum cleaner over the cord. Keep the cord away from heated surfaces.
9. Do not handle the plug or vacuum cleaner with wet hands. Do not use outdoors or on wet surfaces.
10. Do not put any objects into openings. Do not use with any openings blocked and do not restrict air flow. Keep all openings free of dust, lint, hair or anything that may reduce airflow.
11. Keep hair, loose clothing, fingers and all parts of the body away from openings and moving parts.
12. Do not pick up hot coals, cigarette butts, matches or any hot, smoking or burning objects.
13. Do not pick up flammable, hazardous dust or combustible materials (lighter fluid, petrol, kerosene, etc)

or use in the presence of explosive liquids or vapours.

14. Do not vacuum up harmful or toxic material (chlorine bleach, ammonia, drain cleaner, etc).
15. Do not vacuum up hard or sharp objects such as glass, nails, screws, coins, etc.
16. Do not use without the filters in place.
17. Use extra care when vacuuming on stairs.
18. Keep vacuuming area well lit.
19. Store the vacuum cleaner indoors in a cool, dry area.
20. Turn off the switch before unplugging.
21. Use only CE-approved 13 amp extension cords. Non-approved extension cords may overheat. Care should be taken to arrange the cord so that the cord cannot be pulled or tripped over.
22. Regularly examine the supply cord for damage, such as cracking or ageing. If damage is found replace the cord before further use.

! **WARNING:** Always switch off and unplug the vacuum cleaner from the electrical outlet before assembling, opening or emptying the dirt container, or before connecting/disconnecting the attachments.

! **CAUTION:** The vacuum cleaner is a very powerful unit. Before plugging the cord into the outlet make sure the switch is in the 'off' position. Hold the vacuum cleaner firmly when starting and in use.

! **IMPORTANT:** If the inlet or hose is blocked, switch off the vacuum cleaner and remove the blockage(s) before re-starting the vacuum cleaner.

! **IMPORTANT:** Cleaning filters improves vacuum performance. Make sure all filters are replaced back into the vacuum cleaner before using. Vax recommends cleaning the pre-motor filter every month and the exhaust filter every 9-12 months.

This appliance is suitable for commercial use.

PLEASE KEEP THESE INSTRUCTIONS FOR FURTHER USE.

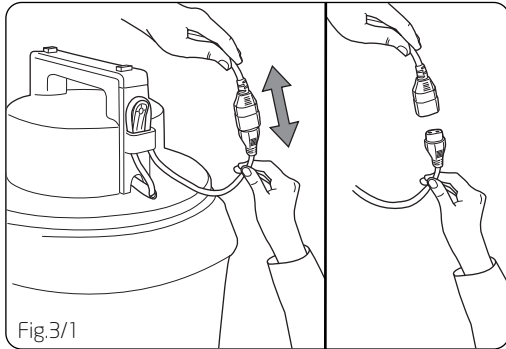
Motor Thermostat

IMPORTANT: The motor is equipped with a thermal cut-out. If for any reason, the vacuum cleaner should over-heat, the thermostat will automatically turn the unit off. Should this occur, unplug the vacuum cleaner from the electrical outlet and turn off the switch. Remove the dirt container and empty. Clean the filters. Allow the cleaner to cool for approximately one (1) hour. To re-start, plug into an electrical outlet and switch back on.

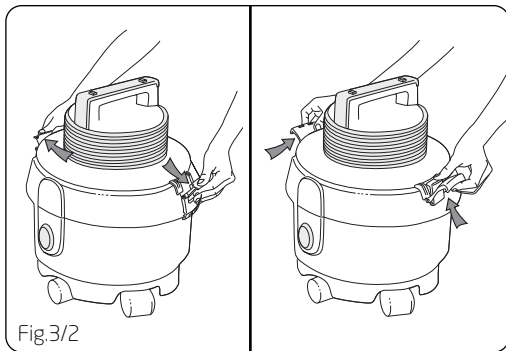
3. Initial Set Up

! **IMPORTANT:** The accessories are stored in the dust bag compartment and need to be removed before operating the vacuum cleaner.

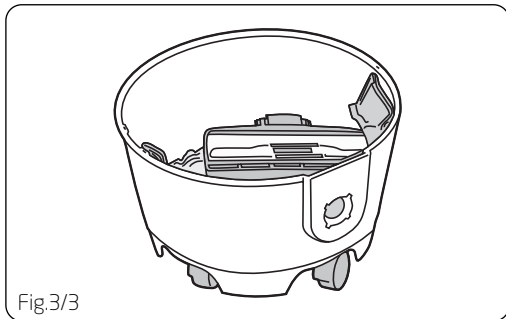
The power cord can be connected/disconnected from the unit (Fig.3/1).



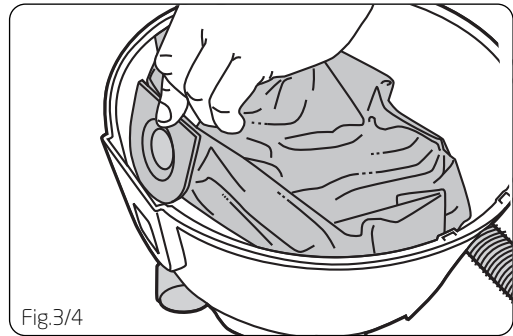
Unclip the retainer clips on either side of the vacuum cleaner and lift off to gain access to the dust bag compartment (Fig.3/2).



Remove the accessories (Fig.3/3).



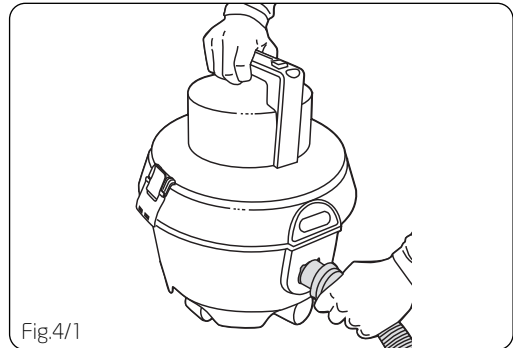
Fit the dust bag by aligning the front of the dust bag with the inlet slots (Fig.3/4). Replace motor top.



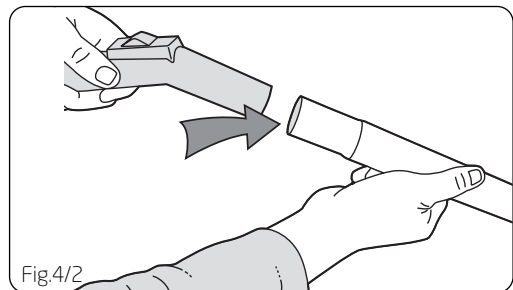
4. Use and Function

! **IMPORTANT:** Always remove the power plug from the wall outlet before assembling or before removing accessories.

Insert the flexible hose into the inlet on the main body of the vacuum cleaner. Push in and twist clockwise a quarter turn until tight (Fig.4/1).



Push the extension tube onto the end of the handle (Fig.4/2).



The extension tubes can be used together to lengthen or shorten by using one section of the extension tube as required (Fig.4/3).

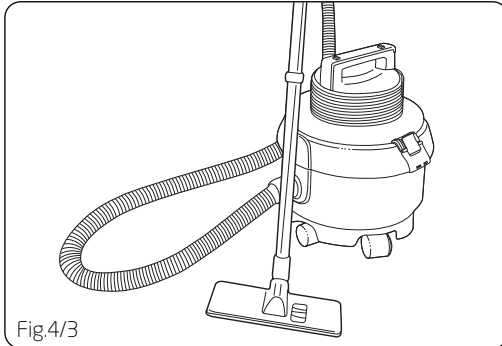


Fig.4/3

Fit the combination floor tool by pushing on to the extension tube (Fig 4/4).

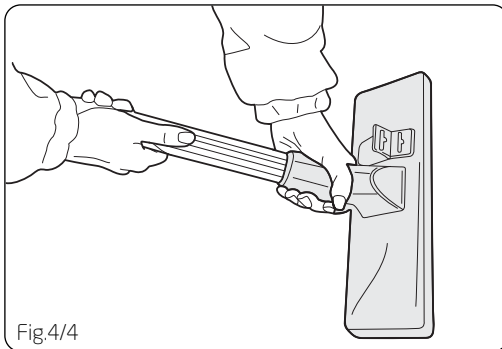


Fig.4/4

5. How to Operate

On/Off Switch

Fully unwind the power cord and plug the cord into the electrical outlet. Turn the vacuum cleaner on by switching the button located on the top of the carry handle to on position (Fig.5/1). The vacuum cleaner can be turned off by switching the button again to the off position.

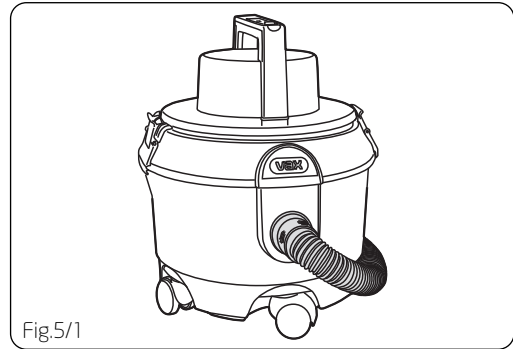


Fig.5/1

Hi/Low Switch

Located on the carry handle - the suction power can be increased/reduced.

Carpet Cleaning

For carpet cleaning, press the rocker switch on the combination floor tool as shown to raise the brushes

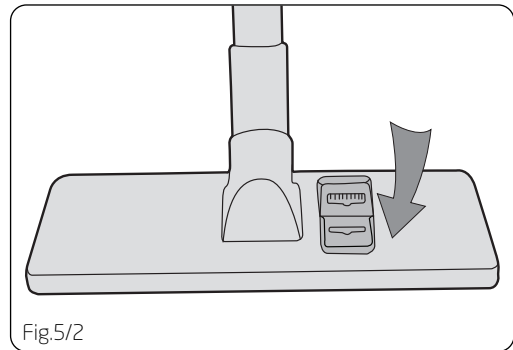


Fig.5/2

(Fig.5/2).

Hard Floor Cleaning

For hard floor cleaning, press the rocker switch on the combination floor tool as shown to lower the brushes (Fig.5/3).

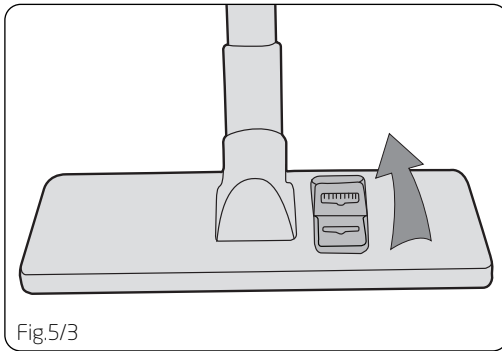


Fig.5/3

Cord Wrap

After use, turn the vacuum cleaner off and unplug from the electrical outlet. Wrap the cord around the top section of the vacuum cleaner and secure in place with the cord clip (Fig.5/4).

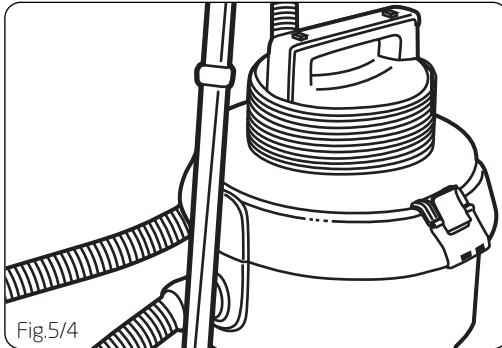


Fig.5/4

Carry Handle

Use the carry handle located on the top of the vacuum cleaner to move from room to room (Fig.5/5).

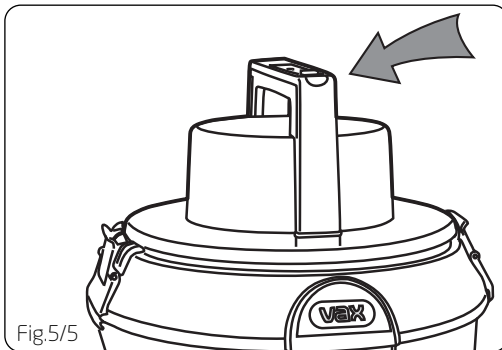


Fig.5/5

6. Accessories

! IMPORTANT: Always remove the power plug from the wall outlet before assembling or before removing accessories.

The accessories can be attached directly to the handle by removing the extension tubes and pushing in the desired accessory (Fig.6/1).

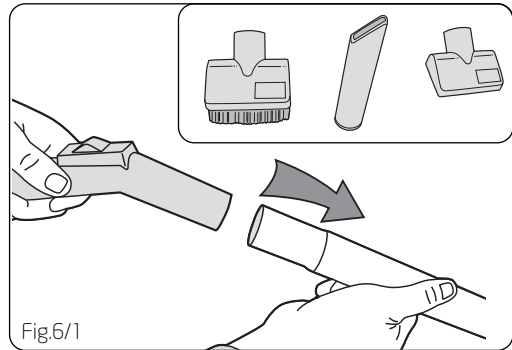


Fig.6/1

The accessories can also be attached to the extension tubes for extra reach. Remove the combination floor tool and push on the desired accessory (Fig.6/2).

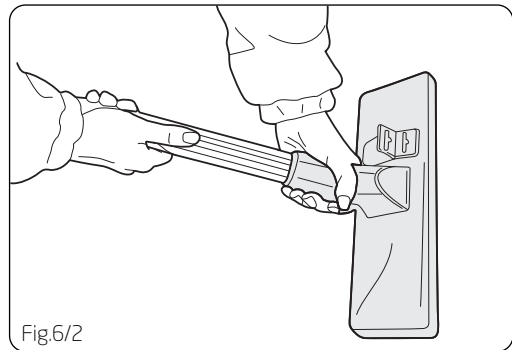


Fig.6/2

Crevice Tool: For crevices, corners, cracks etc.

Dusting Brush: For delicate surfaces.

Upholstery Tool: For carpet, upholstery, stairs etc.

7. Dust Bag & Filters: Removal and Replacement

! **IMPORTANT:** Always unplug the vacuum cleaner from the electrical outlet before removing the dust bag.

! **IMPORTANT:** DO NOT use the vacuum cleaner without ALL of the filters in place.

Turn off the vacuum cleaner and unplug it from the mains. Remove the hose. Unclip the retainer clips on either side of the vacuum cleaner and lift off to gain access to the dust bag compartment (Fig.7/1).

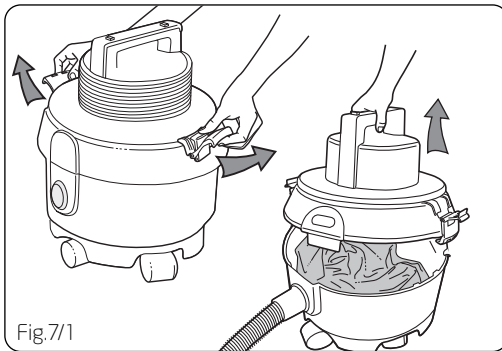


Fig.7/1

Lift out the full dust bag (Fig.7/2).

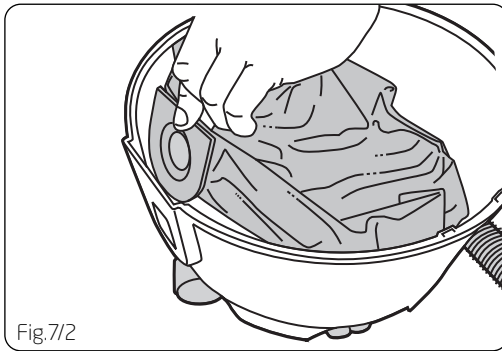


Fig.7/2

Dispose of the full dust bag and insert a new dust bag back into the vacuum cleaner aligning the front of the dust bag with the inlet slots (Fig.7/3).

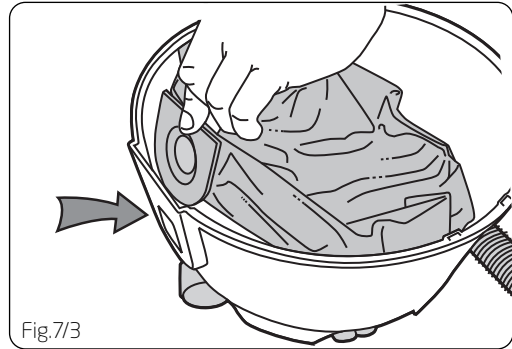


Fig.7/3

Pre-motor Filter

Turn off the vacuum cleaner and unplug it from the mains. Unclip the retainer clips on either side of the vacuum cleaner and lift off to gain access to the dust bag compartment (Fig.7/4).

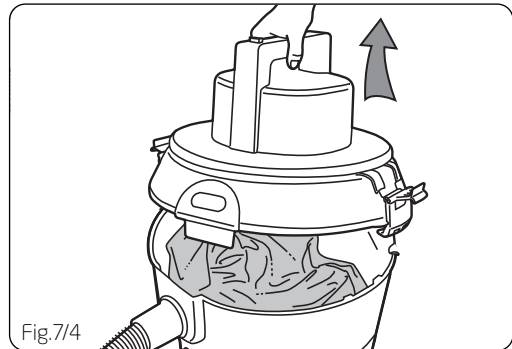


Fig.7/4

The pre-motor filter is found on the underside of the top cover. To release the filter turn the cover anti-clockwise and lift away (Fig.7/5).

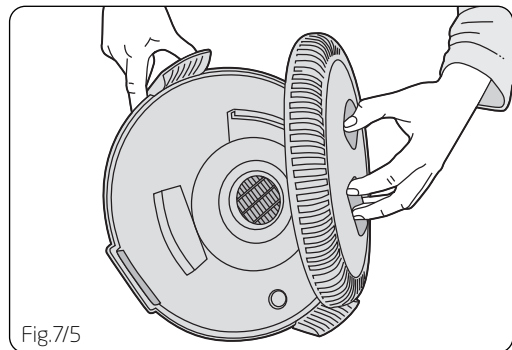


Fig.7/5

The pre-motor filter is protected by a foam filter sleeve. This can be washed using cold water, leaving it to fully air dry before replacing (Fig.7/6).

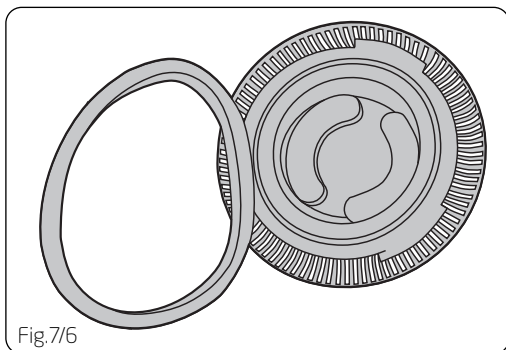


Fig.7/6

The pre-motor filter should be checked frequently and replaced every few months.

Post-motor Filter

Located at the rear of the vacuum cleaner is a post-motor filter which can also be removed and replaced.

Push in on the latches on both sides of the filter cover to release post-motor filter (Fig.7/7).

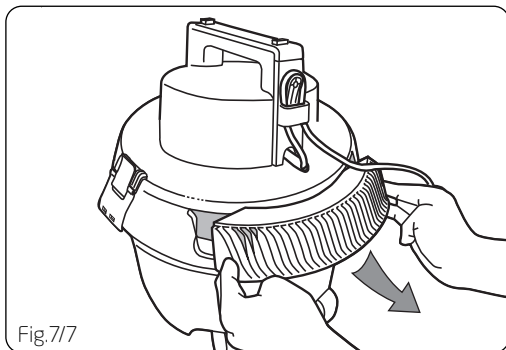


Fig.7/7

Remove the post-motor filter (Fig.7/8).

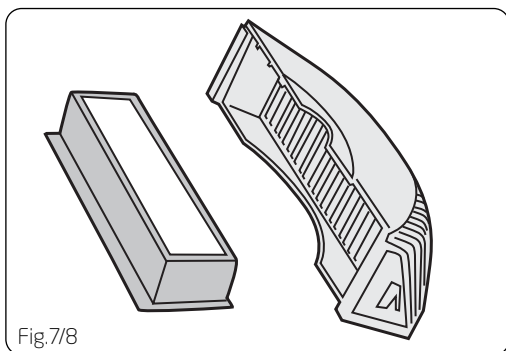


Fig.7/8

The post-motor filter should be checked frequently and replaced every 9-12 months.

8. Clearing Blockages

Switch the vacuum cleaner off and disconnect the power plug from the electrical outlet.

The flexible hose can be disconnected from the vacuum cleaner by rotating anti-clockwise and pulling away from the machine (Fig.8/1).

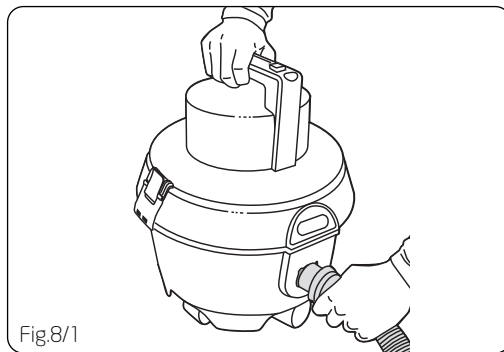



Fig.8/1

Remove any blockages found then re-connect the hose securely.

9. Troubleshooting

 **WARNING:** To reduce the risk of personal injury, unplug the vacuum cleaner before servicing.

PROBLEM: Vacuum cleaner won't run

Cause: Not properly plugged into electrical outlet.

Solution: Plug unit in firmly.

Cause: Vacuum cleaner not turned on.

Solution: Press on/off button.

Cause: No electricity in the electrical outlet.

Solution: Check fuse or breaker.

Cause: Blown fuse / tripped breaker.

Solution: Reset circuit breaker or replace fuse.

Cause: Motor thermostat has tripped.

Solution: Switch off and unplug the vacuum cleaner. Leave for one (1) hour. See page 3.

PROBLEM: Cleaner won't pick up/loss of suction.

Cause: Dust bag not installed correctly.

Solution: Review dust bag removal and replacement.

Cause: Dust bag full or blocked.

Solution: Replace dust bag.

Cause: Clogged filter.

Solution: Remove filter and clean.

Cause: Blockage in hose.

Solution: Disconnect hose, remove the obstruction then re-fit.

PROBLEM: Accessories won't pick up.

Cause: Accessories not attached correctly.

Solution: Refer to page 7 for fitting information.

PROBLEM: Dust escaping from the vacuum cleaner.

Cause: Dust bag full.

Solution: Dispose of dust bag, replace with a new one.

Cause: Dust bag not installed correctly.

Solution: Review dust bag removal and replacement.

Cause: Hose not installed correctly.

Solution: Review hose installation.

Cause: Filter not installed completely.

Solution: Review filter removal and replacement.

10. UK Service & Help

Vax Care 0844 375 4275 (UK only)

Monday-Friday 8.30am to 6.30pm

Saturday-Sunday 9.00am to 5.00pm

Any queries or concerns about using your Vax, call the Vax Careline. Please make a note of the model number and serial number of your Vax before calling. For the nearest Vax Service Agent, please call the Vax Careline or visit vaxcommercial.co.uk

vaxcommercial.co.uk

11. Technical Specification

Voltage:	220-240V ~50Hz
Wattage:	1200W (max)
Capacity:	10 litres max
Filters:	Pleated paper pre-motor filter Pleated micro post-motor filter
Cord length:	10m
Weight:	7.6kg (dependant on model)

Subject to technical change without notice.



Vax Careline: (UK) 0844 375 4275

This page has been left intentionally blank



EEC STATEMENT OF COMPLIANCE

Manufacturer/EEC importer: Vax Limited, hereby on our own responsibility, declare that the product VCC-02 Commercial Bagged Cylinder is manufactured in compliance with the following Directives:

Safety: 2006/95/EC Low Voltage Directive
EMC: 89/336/EEC Electromagnetic Compatibility Directive



Waste electrical products should not be disposed of with household waste. Please recycle where facilities exist. Check with your Local Authority or retailer for recycling advice.

Vax Ltd., Kingswood Road, Hampton Lovett, Droitwich, Worcestershire, WR9 0QH, UK
email: info@vaxcommercial.co.uk - website: vaxcommercial.co.uk